



PHOT-XiS LCD
DC Intraoral X-ray

PHOT-xIIs with LCD

DC Intraoral X-ray

Crisp imaging and ease of use makes the PHOT-xIIs with LCD an integral part of any dental practice.

Tube Voltage Selection

PHOT-xIIs with LCD has 2 tube voltage selection settings to optimize diagnostic imaging:

[60 kV] Setting Provides:

- Balanced contrast for general caries detection
- Excellent definition and detail for periapical and bone structure imaging

[70 kV] Setting Provides:

- Imaging for the examination of patients periodontal disease condition
- Improved pediatric imaging when used in combination with decreased exposure time settings to compensate for patient motion during exposures

Simple Operation

- 1-Position X-ray
 - 2-Select automatic programmed settings for patient type and tooth type
 - 3-Press the exposure switch
- Settings can be manually adjusted from automatic settings with touchscreen controls.

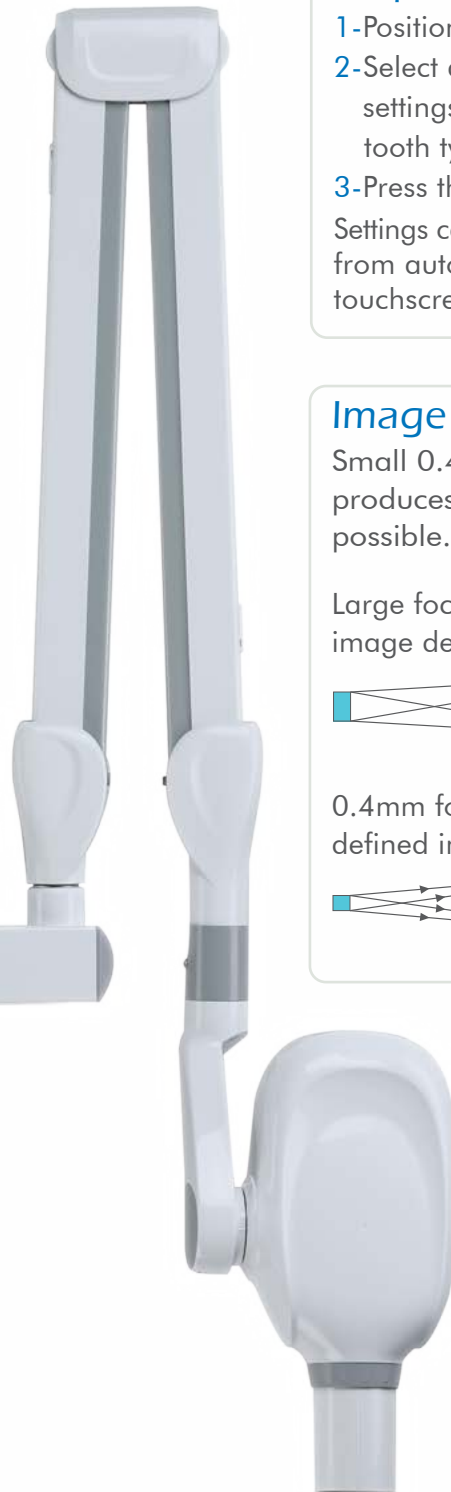
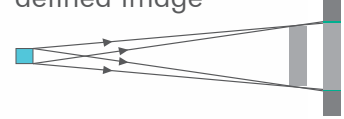
Image Clarity

Small 0.4mm focal spot produces the sharpest image possible.

Large focal spot reduced image definition



0.4mm focal spot sharply defined image



Reliable DC X-ray technology you can trust from Belmont

- High resolution images from a 0.4mm small focal spot
- Reduced skin entrance dosage
- Easy to position, compact tube head
- Customizable settings to match popular sensors for digital imaging



Lightweight Tube Head

The compact tube shape head is easy to hold and is attached to a rugged scissor arm. The scissor arm ensures stable and accurate positioning.



Sensor Holder

Sensor holder provides a convenient and visible location to place digital sensors (not included).



BellLink wireless kit

BellLink wireless interface kit option provides the capability to directly connect digital intraoral sensors to your computer without the hassle of running an additional cable.

LCD Touch Screen Panel

The new LCD touch screen panel enhances operator experience by providing a brightly lit graphic display interface for selection of imaging parameters.



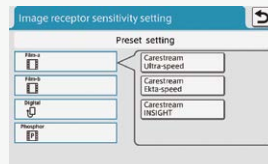
- A** Radiation dose display provides the total accumulative radiation dose for each patient. Reset the display window by touching & holding for several seconds.
- B** Decrease or increase exposure time by pressing the Down or Up arrow to obtain the desired image setting.
- C** The radiation dose of each individual exposure is displayed in the LCD window.

LCD touchscreen sub-controller display controls can be configured for English, Spanish, French, and German language.



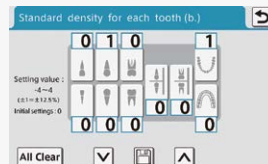
Screensaver Feature

A built-in USB port for uploading screen images gives operators the ability to customize the LCD screen appearance or for promoting the dental practice brand.



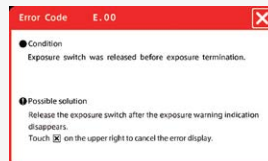
Sensitivity Setting

Select digital sensor to be used from the on-screen library, and optimized sensitivity settings will be selected automatically.



Tooth Density

Tooth density settings can be adjusted from the default setting for each tooth by pressing the UP or Down arrows.



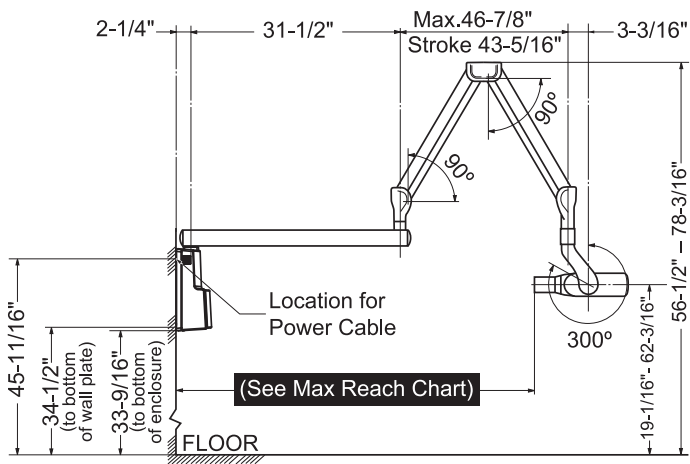
Troubleshooting

If the X-ray should encounter any abnormal conditions, an error message will be displayed on the LCD sub-controller screen, as well as the suggested troubleshooting solution for the abnormal condition.

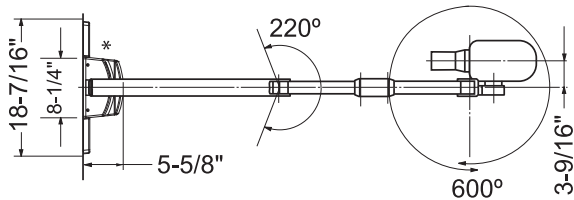


Dimensions:

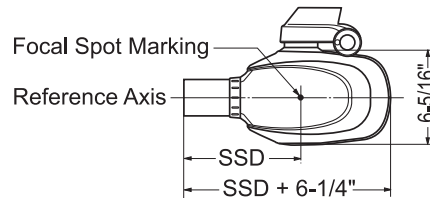
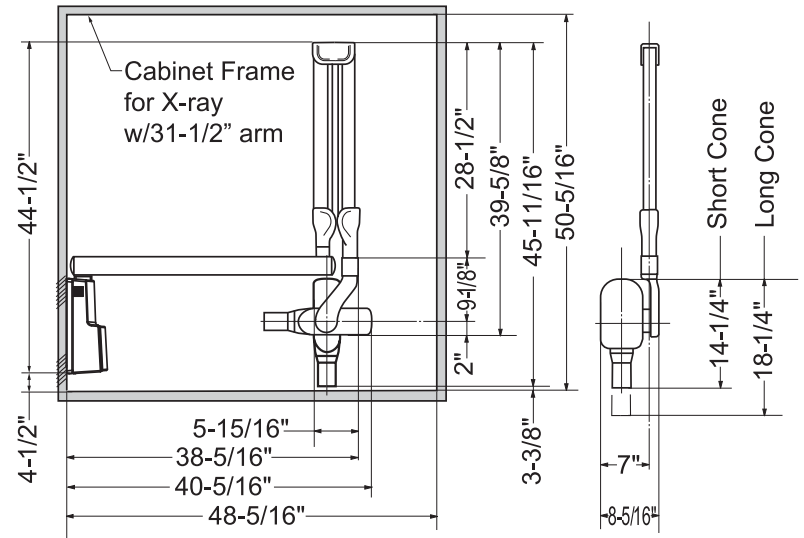
Wall Mount



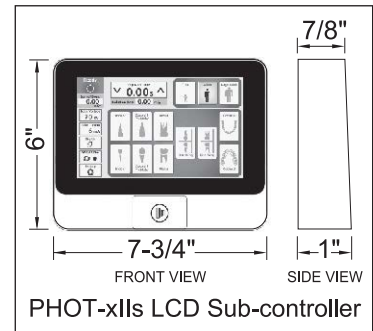
Maximum Reach:	84-1/8" with 40.0" arm	64-1/8" with 20.0" arm
	75-5/8" with 31.5" arm	56-1/8" with 12.0" arm



Pass-thru mount



- SSD (Source to Skin Distance) :**
- a. Regular cone-----8 inches (203 mm)
 - b. Long cone-----12 inches (305mm)



SPECIFICATIONS

Selectable kV:	60-70 kV
Focal Spot:	0.4 mm (IEC60336)
Voltage:	120 VAC
Rated Line Current:	10A at 70kV, 6 mA
Exposure Time:	0.01 - 2.0 Seconds
Minimum Filtration in useful Beam:	2.0 mm Al Equivalent at 70kV
Selectable mA:	3mA / 6mA
Source to Skin Distance (SSD):	Standard Cone: 8" Optional Long Cone: 12"
Additional Options:	Pass-Thru Plate for 4x4 stud mounting Coiled wire remote switch Long 12" Cone Bel-Link Wireless interface for Digital Sensors

Belmont Equipment
101 Belmont Drive
Somerset, NJ 08873
(800) 223-1192
www.belmontequip.com

Takara Company Canada Ltd.
2076 South Sheridan Way
Mississauga, ON
L5J 2M4, Canada
(800) 268-5351
dental.takarabelmont.ca

Belmont
Delivering Value in Quality

@BelmontEquipUS

